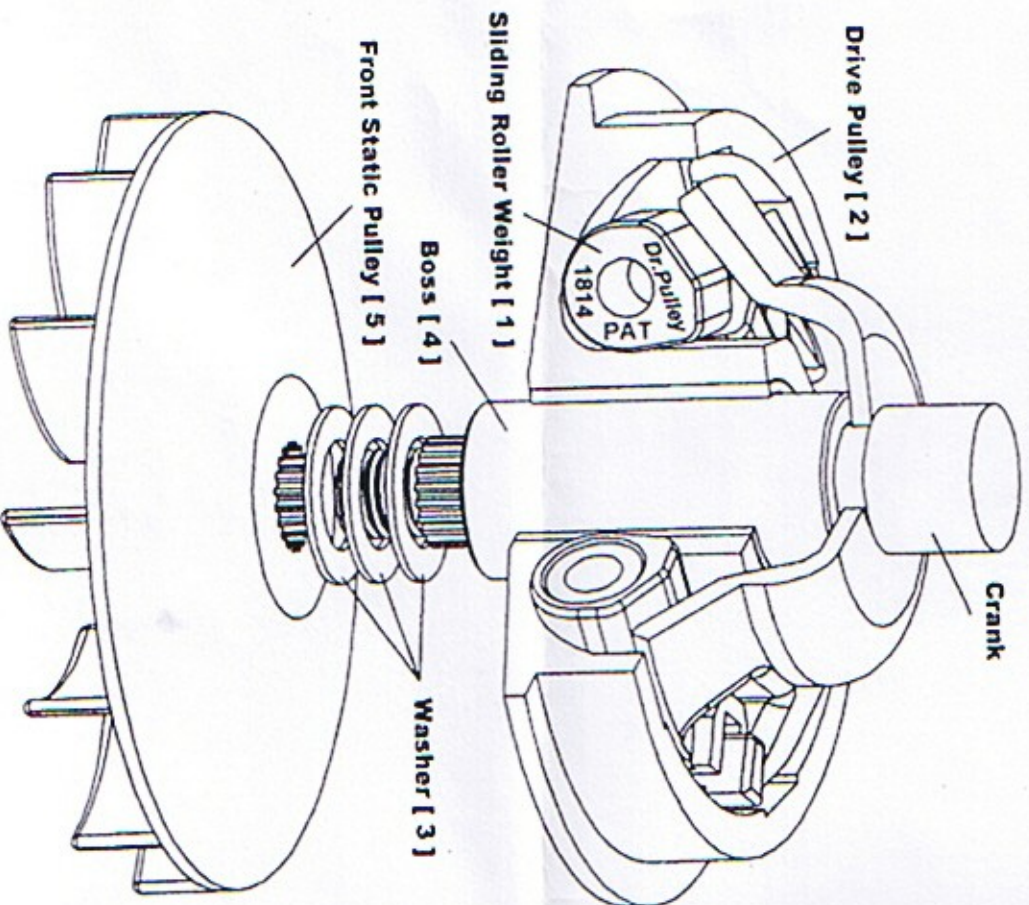


Dr.Pulley SET-UP Instructions



Thank you for choosing **Dr.Pulley** Pulley Kit. Please be sure to follow the instructions below to get the best variator performance.

* To use Sliding Roller Weight

Check the set-up figure when installing your sliding roller weight[1] into the drive pulley[2]. You should be able to see "**Dr.Pulley**" and the size (which is 1814 in this figure) of your sliding roller weight in positive direction, and "PAT" is close to the center of your drive pulley.

** Make sure your sliding roller weights are in the correct direction, otherwise your variator will NOT work.

* To use Washer

Put 0 to 3 pieces of washer[3] as spacer between the boss[4] and the front static pulley[5] as showed in figure . Use the washer to get a better match of gear shift ratio and the revolutions of engine when the torque of your engine is not strong enough.